

# Dispositivo fisso trifase MT

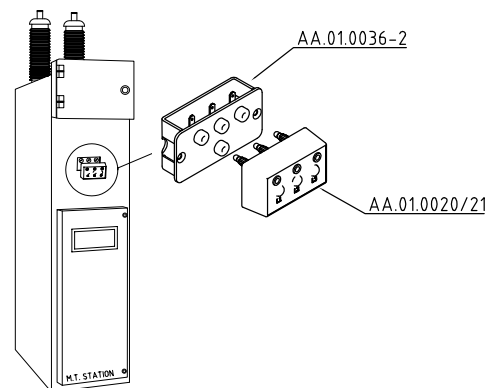
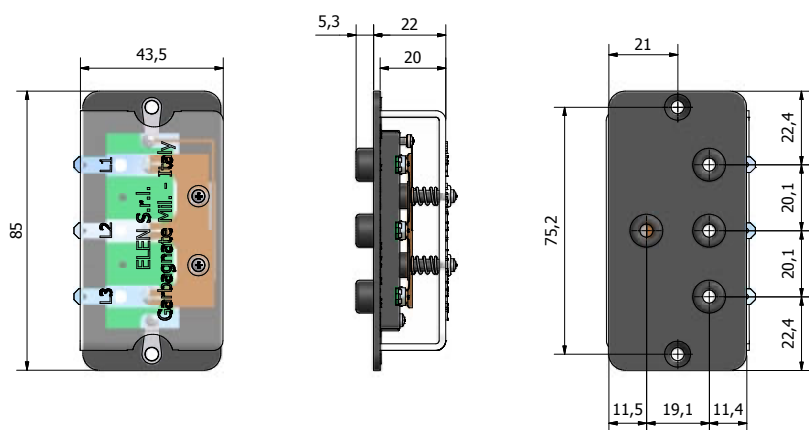
## MV three-phase voltage detector – standing part



- Rileva la presenza di tensione su quadri MT congiuntamente ai dispositivi mobili AA010020, AA010021, AA010032, AA010033

- It detects the voltage presence on MT cabinets in combination with the removable devices AA010020, AA010021, AA010032, AA010033

### DIMENSIONS



### SPECIFICATIONS

CHARACTERISTICS	VALUE
Housing material:	nylon
Cover material:	kostil
Operating temperature:	- 20 °C ÷ + 60 °C;
Storage temperature:	- 30 °C ÷ + 70 °C;
Vibrations resistance:	1mm/80Hz (~4g); ref. EN 60068-2-6

CODE: AA010036-2

# Dispositivo integrato trifase MT IVS 61958

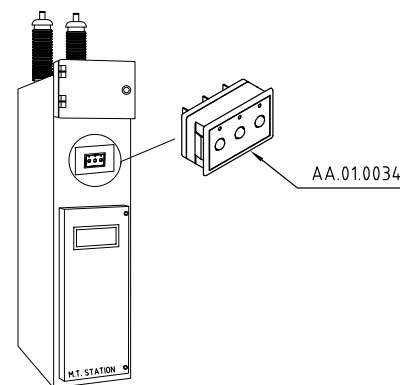
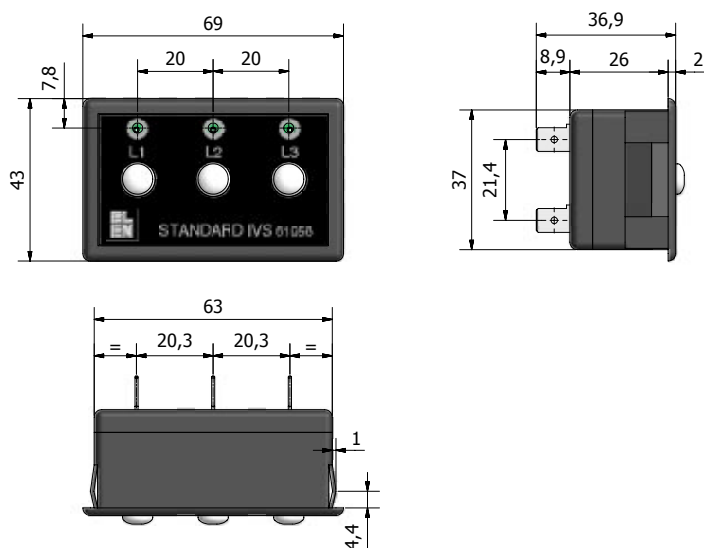
## Integrated MV three-phase IVS 61958 voltage detector



- Rileva la presenza di tensione su quadri MT
- Non richiede il supporto di un dispositivo fisso
- Consente l'accesso diretto alla fase tramite idonea strumentazione

- It detects the voltage presence on MT cabinets
- It doesn't need a companion fixed device
- It allows the direct acces to the phase with proper instrument

### DIMENSIONS



### SPECIFICATIONS

CHARACTERISTICS	VALUE
Housing material:	PA6 + FV 30%
Operating temperature:	- 20 °C ÷ + 80 °C;
Storage temperature:	- 30 °C ÷ + 85 °C;
Vibrations resistance:	1mm/80Hz (~4g); ref. EN 60068-2-6

CODE: AA010034