

Sensori di temperatura NTC (2)

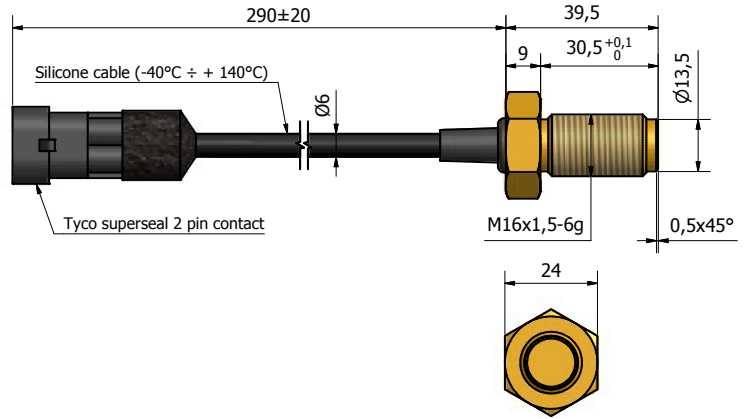
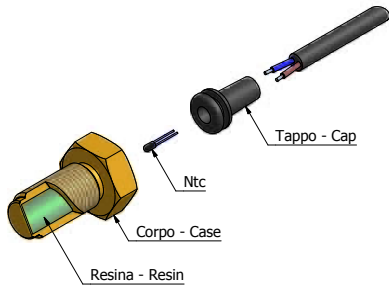
NTC temperature sensors (2)



- Fissaggio regolabile
- Resinati internamente e resistenti fino 160°C
- Configurabili curva NTC, case ed ed interconnessione
- Immuni ai disturbi elettrici ed elettromagnetici
- Elevata affidabilità e ripetibilità delle misure
- Impiegabili nei settori automotive, agricolo, movimento terra, industriale, ferroviario, nautico

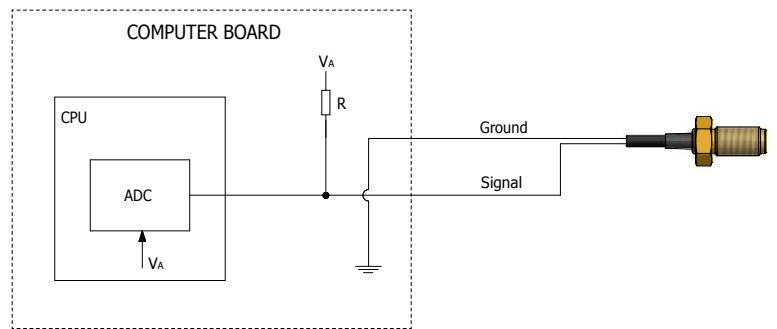
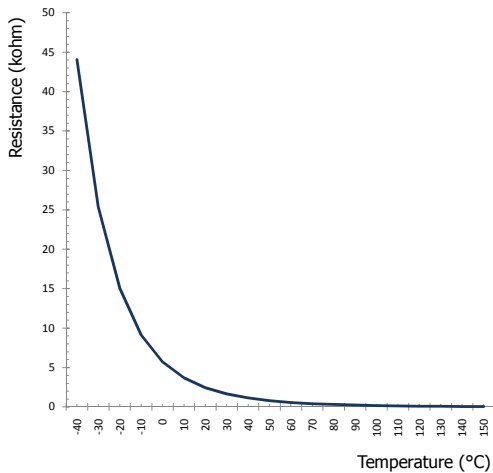
- Adjustable fixing
- Internally resinated and resistant until 160°C
- Customizable NTC curve, case and connections
- Immune to electric and electromagnetic disturbances
- High reliability and measurement repeatability
- Applicable in automotive, agricultural, earth moving, industrial, railway and nautical fields

DIMENSIONS



APPLICATIONS

Resistance-temperature diagram



| TEMPERATURE (°C) | RESISTANCE (kOhm) | ΔRESIST. (+/-%) | ΔTEMP. (+/-°C) |
|------------------|-------------------|-----------------|----------------|
| -40 | 44,060 | 4,4 | 0,8 |
| -30 | 25,392 | 3,8 | 0,7 |
| -20 | 15,034 | 3,2 | 0,6 |
| -10 | 9,137 | 2,6 | 0,5 |
| 0 | 5,733 | 2,1 | 0,5 |
| 10 | 3,688 | 1,7 | 0,4 |
| 20 | 2,431 | 1,3 | 0,3 |
| 30 | 1,660 | 1,2 | 0,3 |
| 40 | 1,142 | 1,6 | 0,5 |
| 50 | 0,8109 | 2 | 0,6 |
| 60 | 0,579 | 2,3 | 0,7 |
| 70 | 0,4237 | 2,6 | 0,9 |
| 80 | 0,3136 | 2,9 | 1 |
| 90 | 0,2364 | 3,2 | 1,2 |
| 100 | 0,1815 | 3,4 | 1,3 |
| 110 | 0,1402 | 3,7 | 1,5 |
| 120 | 0,1096 | 3,9 | 1,6 |
| 130 | 0,08683 | 4,2 | 1,8 |
| 140 | 0,06923 | 4,4 | 2 |
| 150 | 0,5582 | 4,6 | 2,2 |

SPECIFICATIONS

| CHARACTERISTICS | VALUE |
|-----------------------------|-------------------------------------|
| Power supply: | 6 ÷ 24 Vdc |
| resistance value 25°C | 2 kOhm |
| Resistance tolerance 100°C: | ± 1% |
| Housing material: | OT58 lathed |
| Tightening torque: | 25 Nm |
| Operating temperature: | - 40 °C ÷ + 150 °C |
| Vibrations resistance: | 1 mm/100Hz (~8g); ref. EN 60068-2-6 |
| Degree of protection: | IP67; ref. IEC 60529 |
| Life cycle: | 0k; ref. EN 60068-2-14b |
| Current sink: | max power dissipate 60 mW @ 25 °C |