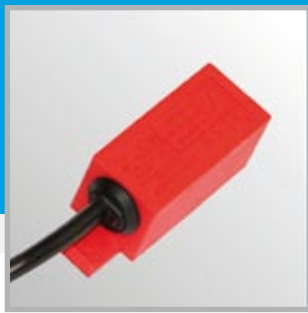


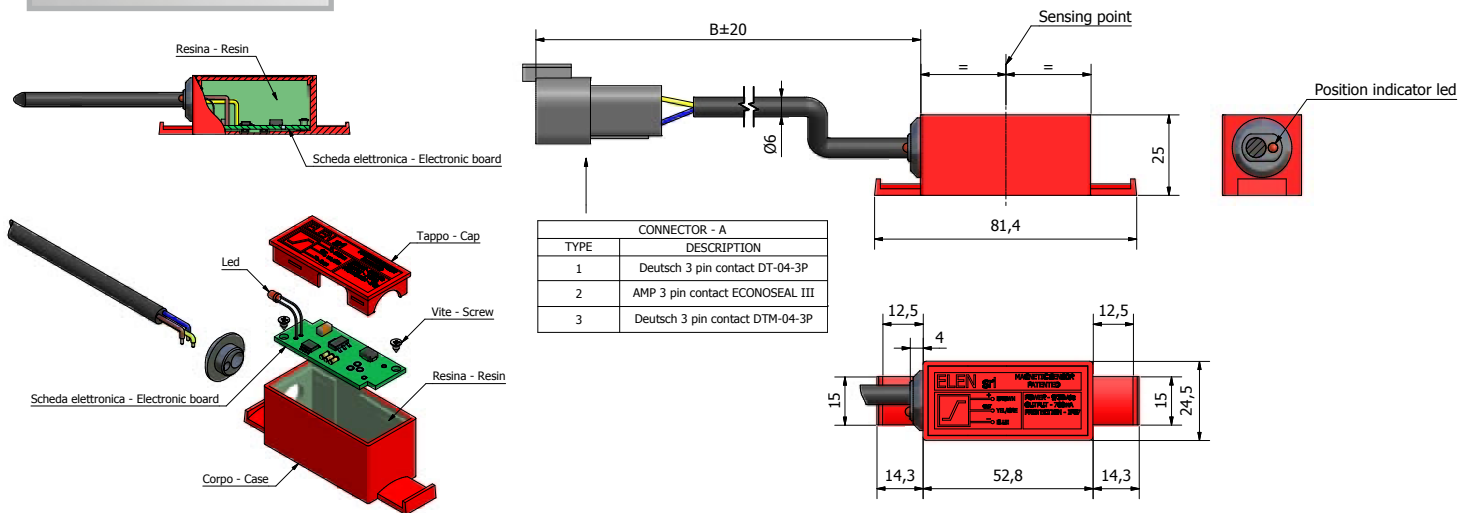
Sensori di prossimità per cilindri oleodinamici ferrosi

Proximity switch sensors for ferrous hydraulic cylinders



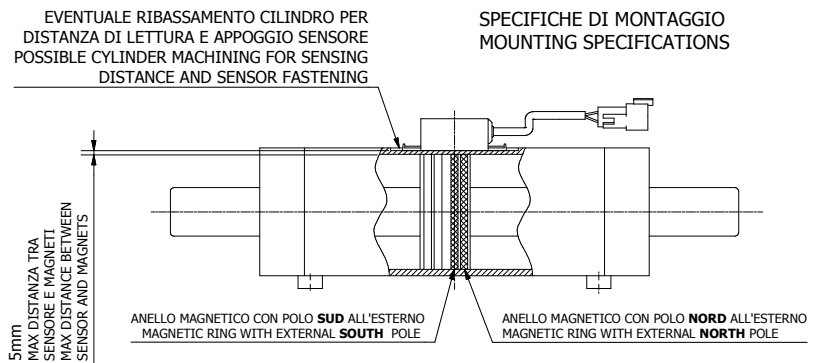
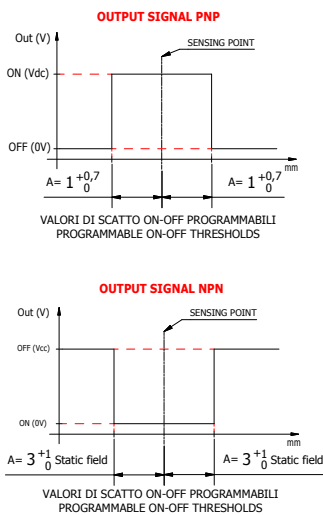
- Rilevano presenza/assenza di campo magnetico all'interno di cilindri ferrosi (ferromagnetici)
- Led di segnalazione delle anomalie magnetiche nell'ambiente operativo
- Impiegabili su assali con cilindri sterzanti per l'individuazione dell'allineamento delle ruote all'asse del veicolo
- Elevata precisione e ripetibilità del segnale grazie al sistema di discriminazione dei disturbi
- They detect the presence/absence of magnetic field in ferrous cylinders (ferromagnetic)
- Output state led signaling anomalies in the operating environment
- Suitable for the application on steering cylinders for the detection of the wheels alignment on the axis of the vehicle (steering sensor)
- High precision and repeatability of the signal thanks to the internal system for the disturbances discrimination.

DIMENSIONS

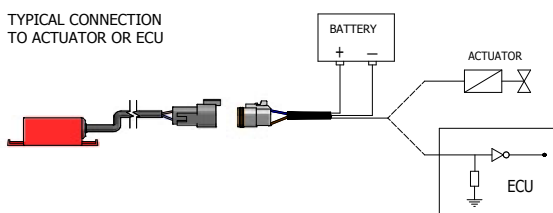


APPLICATIONS

Output signal



Connection diagrams



SPECIFICATIONS

CHARACTERISTICS	TYPE 1	TYPE 2
Power supply:	9 ÷ 30 Vdc	9 ÷ 30 Vdc
Output signal:	PNP N.O.	NPN N.O.
Output current:	700 mA	700 mA
Current sink:	Max 50 mA (no load)	Max 50 mA (no load)
Pulse length:	3 ÷ 6 mm	3 ÷ 6 mm
Housing material:	PA6	PA6
Operating temperature:	- 40 °C ÷ + 105 °C	- 40 °C ÷ + 105 °C
Storage temperature:	- 40 °C ÷ + 100 °C	- 40 °C ÷ + 100 °C
Vibrations resistance:	1mm/100Hz (~8g); ref. EN 60068-2-6	1mm/100Hz (~8g); ref. EN 60068-2-6
Degree of protection:	IP67; ref. IEC 60529	IP67; ref. IEC 60529
Reverse polarity protection:	- 30 Vdc for 1h	- 30 Vdc for 1h
Overload protection:	840 mA for 1h	840 mA for 1h
Overvoltage protection:	36 Vdc for 5'	36 Vdc for 5'
Shortcircuit protection:	to ground for 5'; to Vdc for 5'	to ground for 5'; to Vdc for 5'
EMC compatibility:	BCI CLASS "A" 100mA; 1-400 MHz; ref. ISO 11452-4 (2005)	BCI CLASS "A" 100mA; 1-400 MHz; ref. ISO 11452-4 (2005)