

Sensori di posizione lineare ad effetto Hall corsa 10 mm

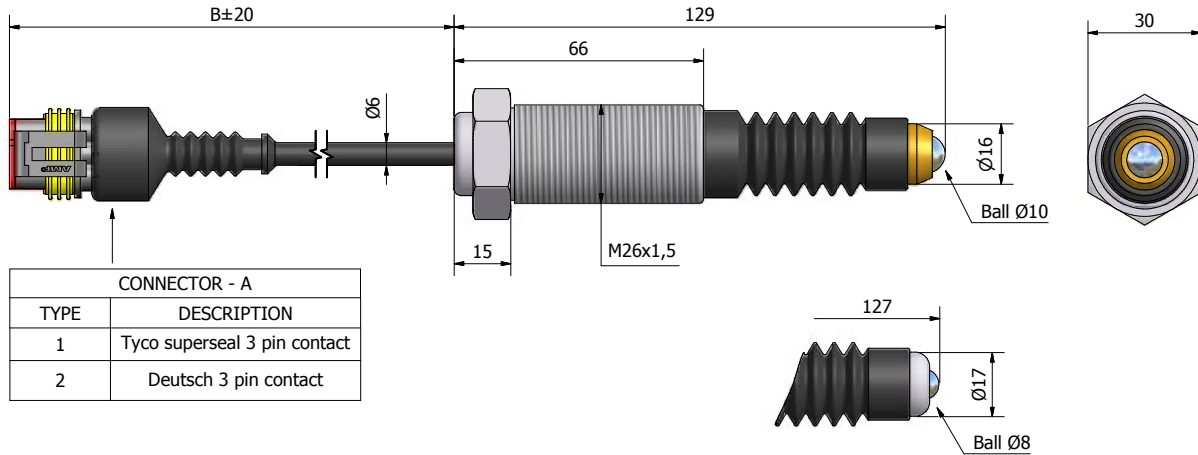
Hall effect linear position 10 mm sliding sensors



- Rilevamento posizione a contatto
- Spostamento max: 15 mm
- Output range: 0,5 ÷ 4,5V@5V; 1 ÷ 9V@10V
- Frequenza di lavoro superiore a 20 KHz
- Idonei alla rilevazione di oscillazioni e sforzo su veicoli agricoli (assali sospesi) e macchine per movimento terra o lavorazioni speciali

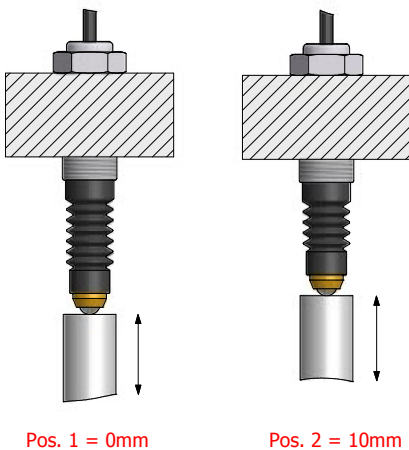
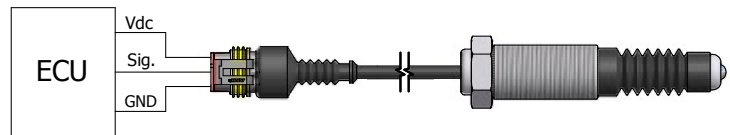
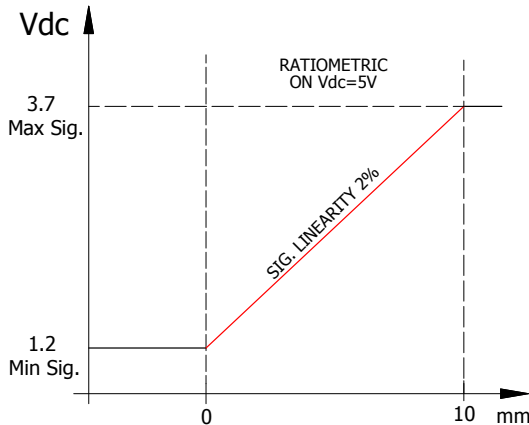
- Contact type position detection
- Max displacement 15 mm
- Output range: 0,5 ÷ 4,5V@5V; 1 ÷ 9V@10V
- Operating frequency: > 20kHz
- Suitable for the detection of stress or oscillations on agricultural vehicles (suspended axles) and earth-moving machinery or for special applications

DIMENSIONS



APPLICATIONS

Output signal



SPECIFICATIONS

CHARACTERISTICS	TYPE 1	TYPE 2
Principle of operation:	Hall effect	Hall effect
Power supply:	5 ÷ 10 Vdc	5 ÷ 10 Vdc
Output signal:	0.1 ÷ 4.5V (Vdc=5V); 1.5 ÷ 8.5V (Vdc=10V)	1.20 ÷ 3.7V (Vdc=5V); 2.8 ÷ 7.2V (Vdc=10V)
Electronics sliding:	10mm, 13mm	10mm, 13mm
Mechanical sliding:	16mm	16mm
Operating temperature:	- 40 °C ÷ + 125 °C	- 40 °C ÷ + 125 °C
Storage temperature:	- 40 °C ÷ + 135 °C	- 40 °C ÷ + 135 °C
Degree of protection:	IP67; ref. IEC 60529	IP67; ref. IEC 60529
Vibrations resistance:	1mm/100Hz (~8g); ref. EN 60068-2-6	1mm/100Hz (~8g); ref. EN 60068-2-6