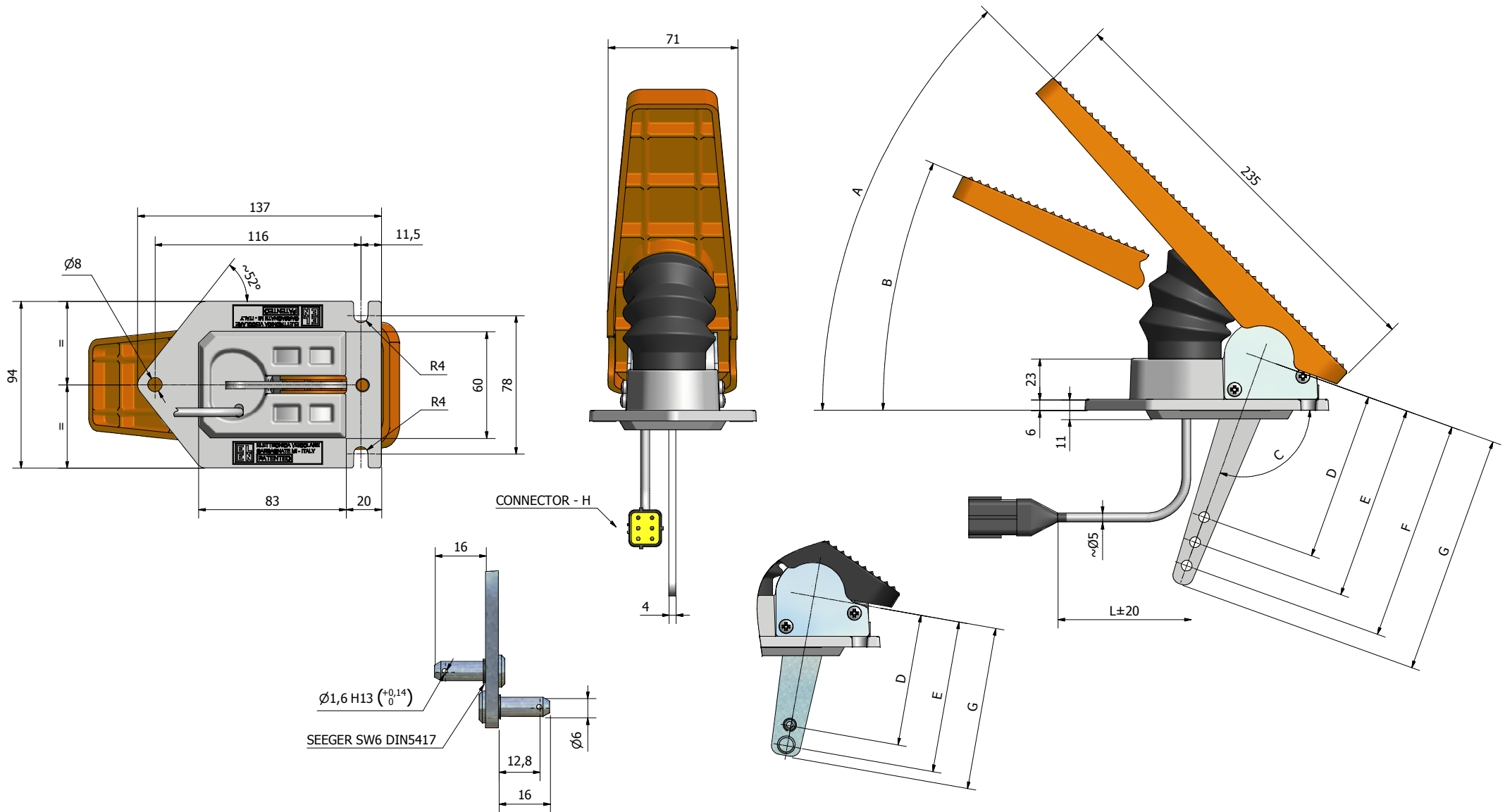


Hall effect electronic throttle 5 Vdc pedals

Dimensions*

Cod. see form "Codes"



ELEN S.r.l. - Elettronica industriale

Viale Forlanini 71, 20024 Garbagnate Milanese (MI) - Tel 02.99022397/98/99 - Fax 02.99026166 - www.elensrl.it

Hall effect electronic throttle 5 Vdc pedals

