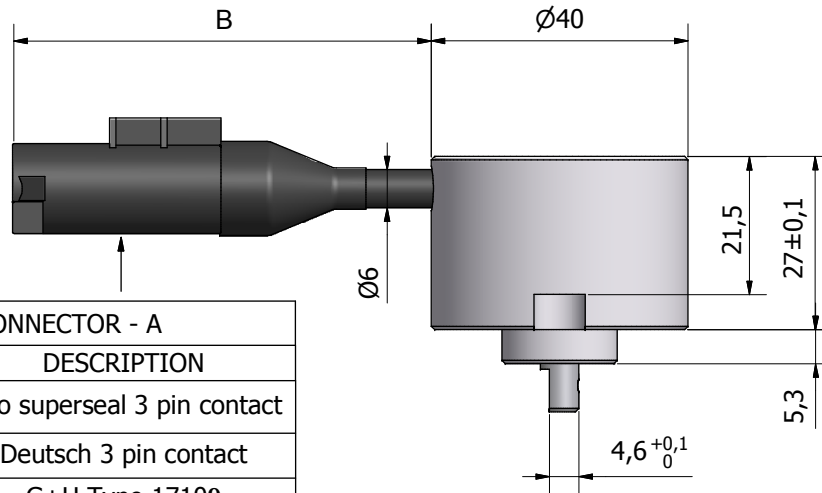


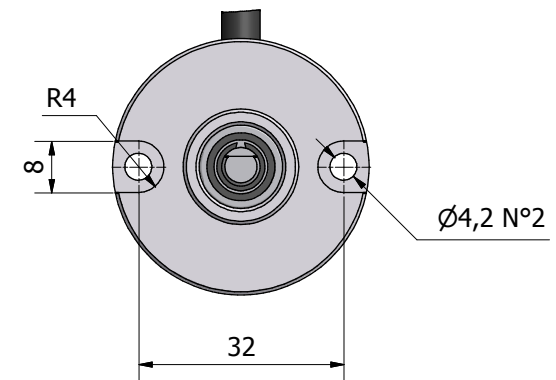
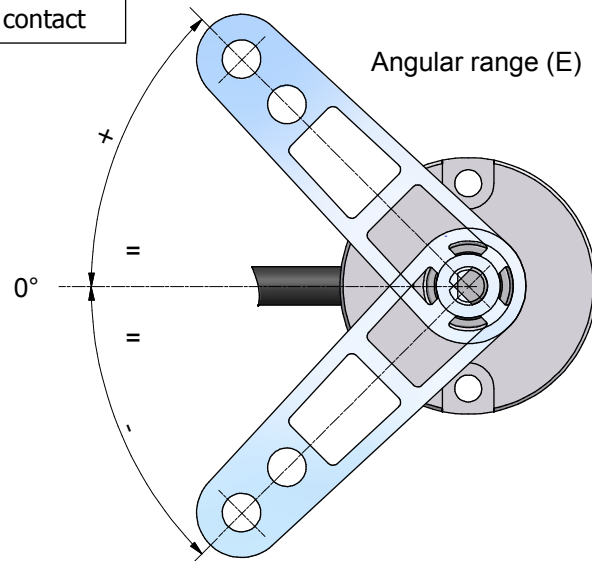
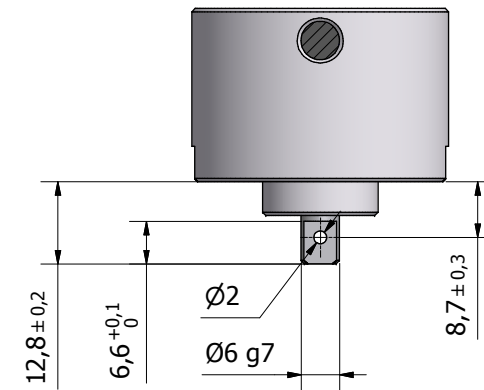
Hall effect angle sensors with round case (1)

Dimensions*

Cod. see form "Codes"



CONNECTOR - A	
TYPE	DESCRIPTION
1	Tyco superseal 3 pin contact
2	Deutsch 3 pin contact
3	G+H Type 17109
4	AMP 3 on 6 pin contact



* customizable on request



ELEN S.r.l. - Elettronica industriale

Viale Forlanini 71, 20024 Garbagnate Milanese (MI) - Tel 02.99022397/98/99 - Fax 02.99026166 - www.elensrl.it

Hall effect angle sensors with round case (1)

