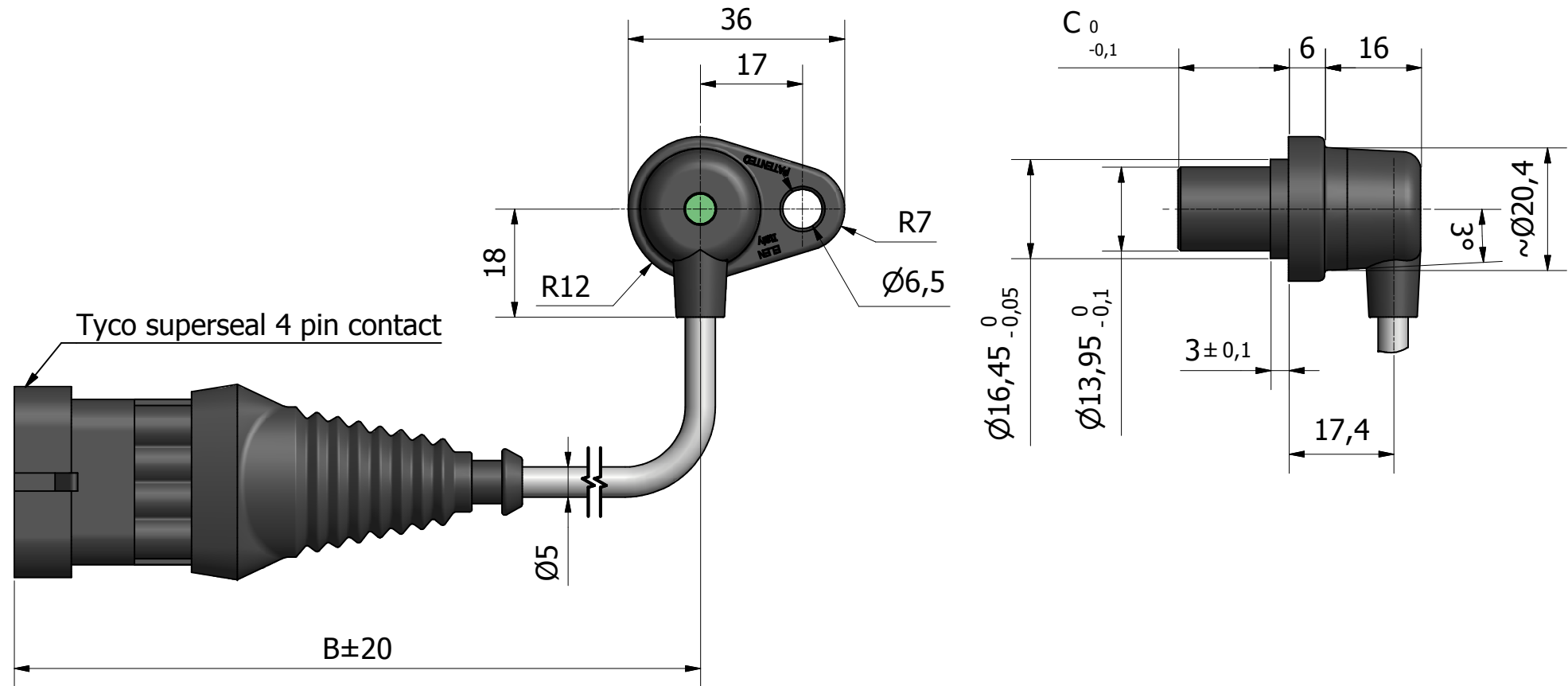


## Proximity switch sensors for translating shafts

Dimensions\*

Cod. see form "Codes"



\* customizable on request



**ELEN S.r.l. - Elettronica industriale**

Viale Forlanini 71, 20024 Garbagnate Milanese (MI) - Tel 02.99022397/98/99 - Fax 02.99026166 - www.elensrl.it

## Proximity switch sensors for translating shafts

---

