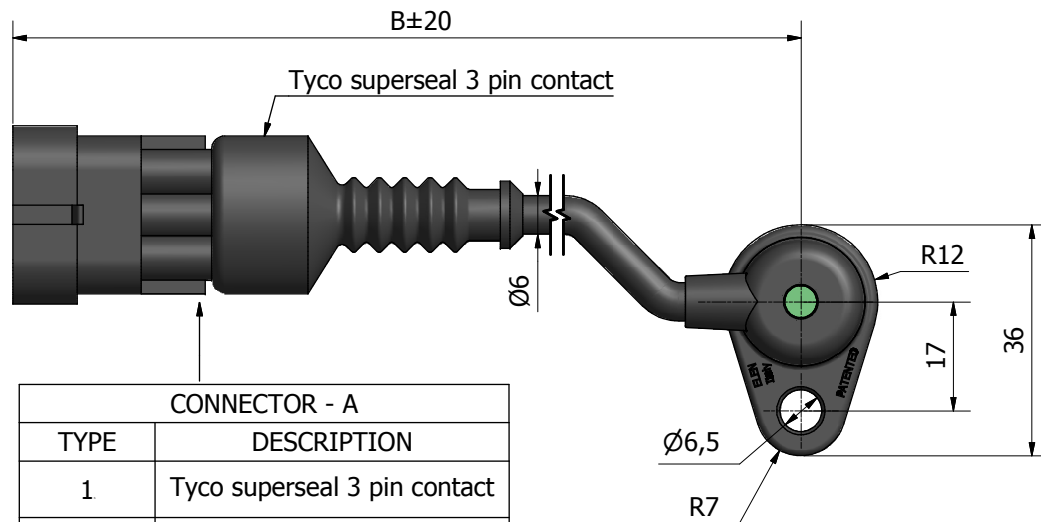


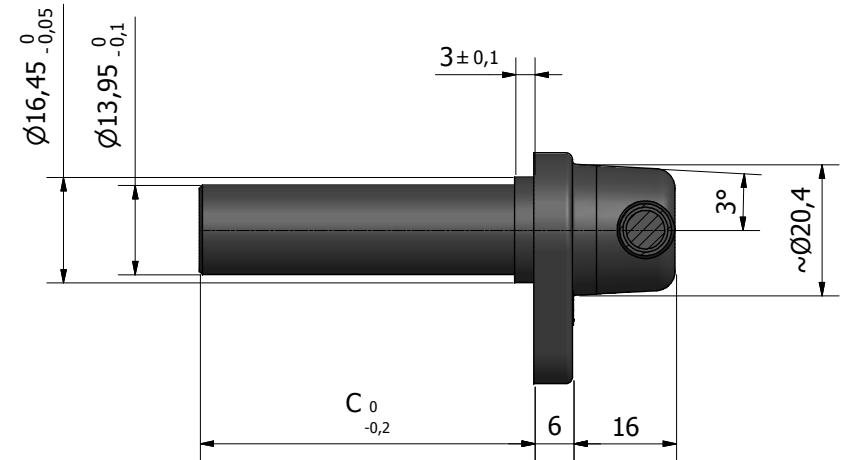
Hall effect linear position sensors for translating shafts

Dimensions*

Cod. see form "Codes"



CONNECTOR - A	
TYPE	DESCRIPTION
1	Tyco superseal 3 pin contact
2	Deutsch DTM04-3P contact
3	Deutsch DT04-3P contact



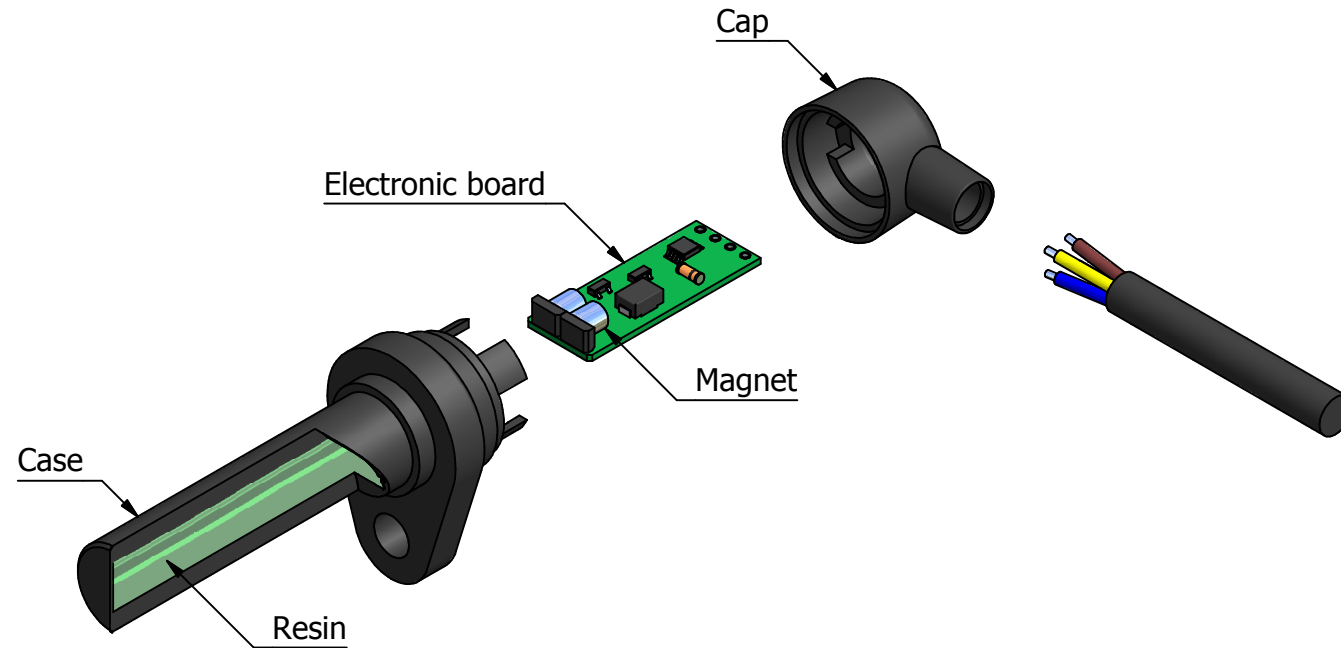
* customizable on request



ELEN S.r.l. - Elettronica industriale

Viale Forlanini 71, 20024 Garbagnate Milanese (MI) - Tel 02.99022397/98/99 - Fax 02.99026166 - www.elensrl.it

Hall effect linear position sensors for translating shafts



ELEN S.r.l. - Elettronica industriale

Viale Forlanini 71, 20024 Garbagnate Milanese (MI) - Tel 02.99022397/98/99 - Fax 02.99026166 - www.elensrl.it