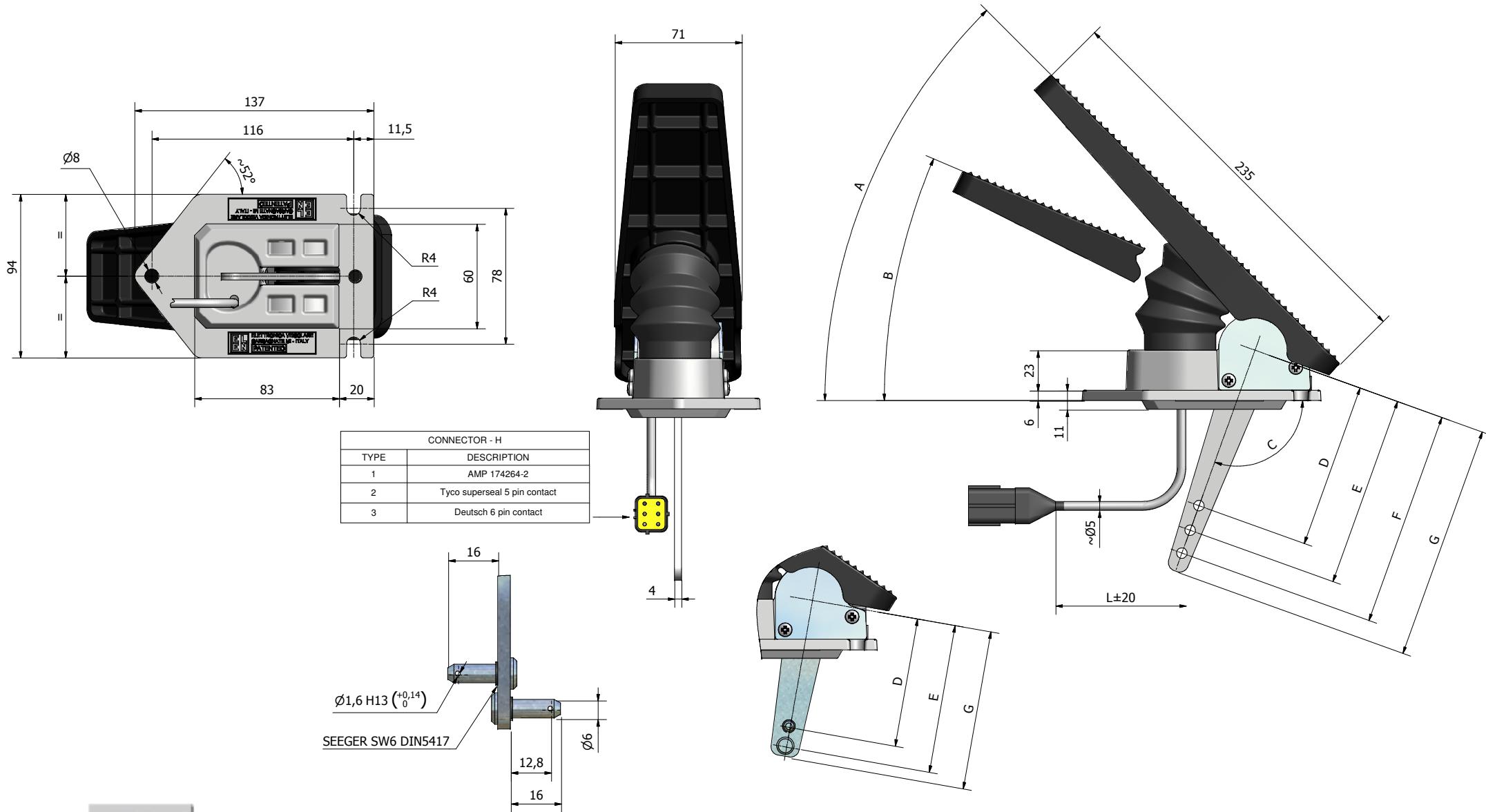


# Hall effect electronic throttle 6-30 Vdc pedals

Dimensions\*

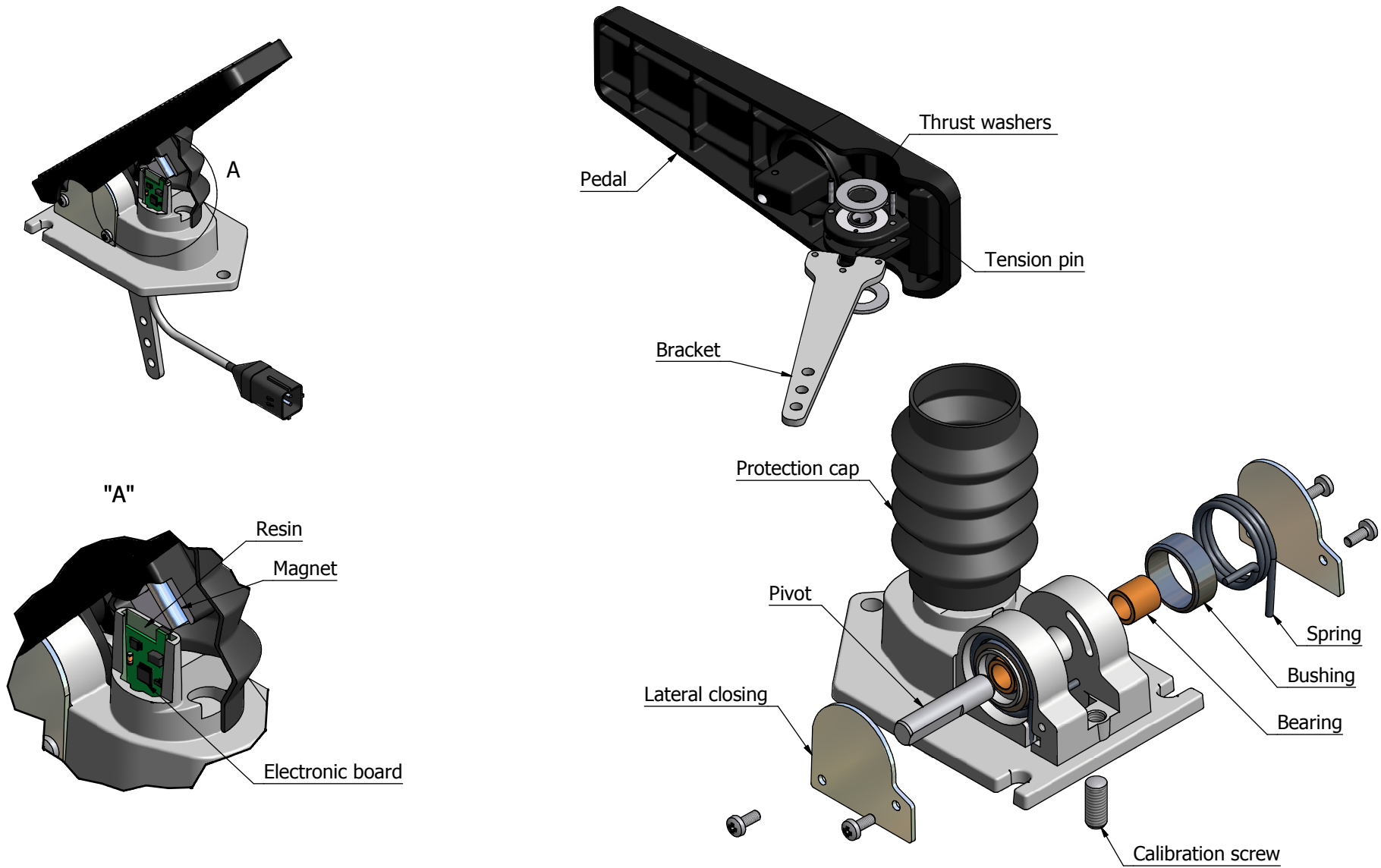
Cod. see form "Codes"



**ELEN S.r.l. - Elettronica industriale**

Viale Forlanini 71, 20024 Garbagnate Milanese (MI) - Tel 02.99022397/98/99 - Fax 02.99026166 - www.elensrl.it

## Hall effect electronic throttle 6-30 Vdc pedals



**ELEN S.r.l. - Elettronica industriale**

Viale Forlanini 71, 20024 Garbagnate Milanese (MI) - Tel 02.99022397/98/99 - Fax 02.99026166 - [www.elensrl.it](http://www.elensrl.it)