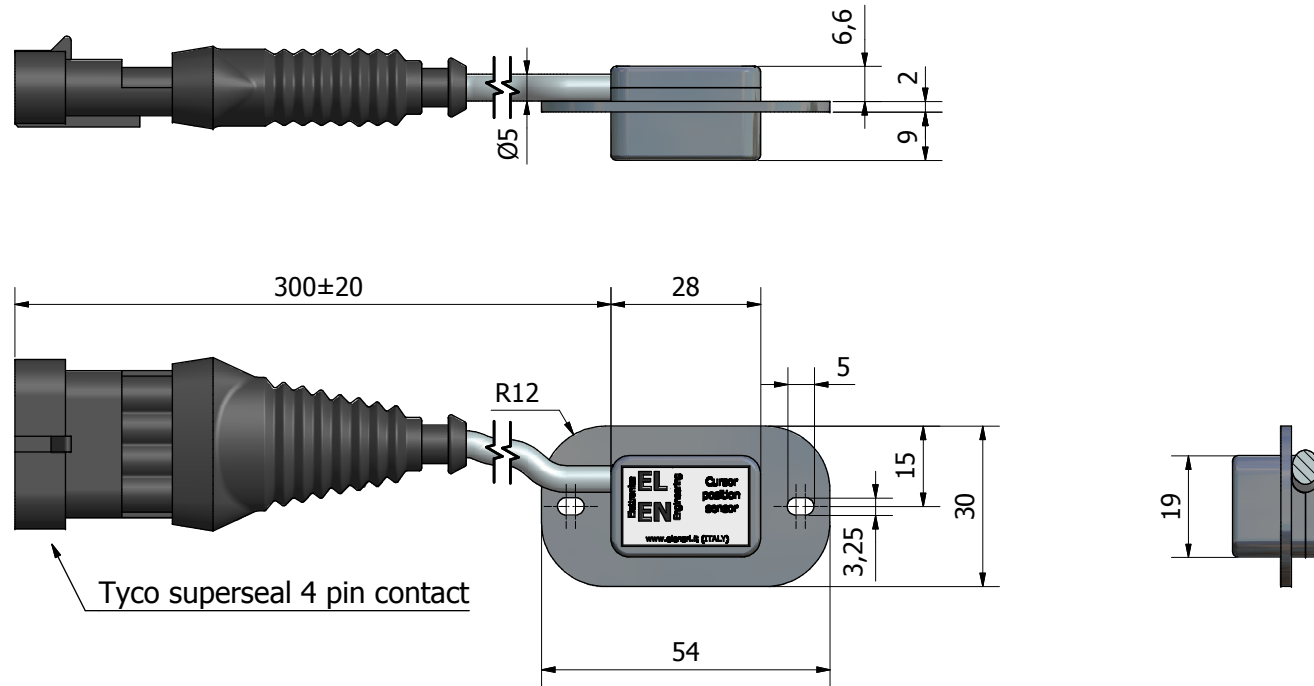


Proximity switch sensors for electro-hydraulic control levers

Dimensions

Cod. AA020012



ELEN S.r.l. - Elettronica industriale

Viale Forlanini 71, 20024 Garbagnate Milanese (MI) - Tel 02.99022397/98/99 - Fax 02.99026166 - www.elensrl.it